

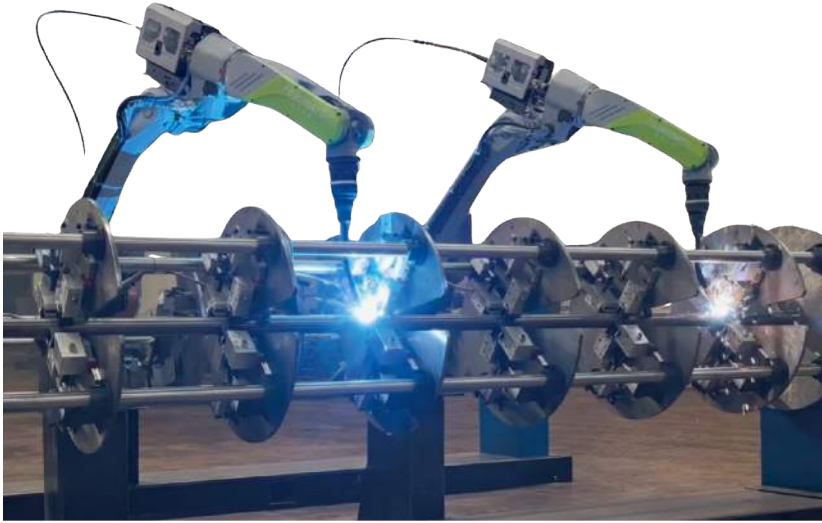
Affordable
Reliable
Simple

A close-up photograph of a welding torch in operation. The torch is positioned in the lower-left corner, emitting a bright, intense light and a shower of orange sparks that radiate across the frame. The background is dark, making the sparks and the blueish-white light of the weld stand out prominently. The overall scene conveys a sense of industrial power and precision.

W
W
WELDMATIC
— AUTOMATION —

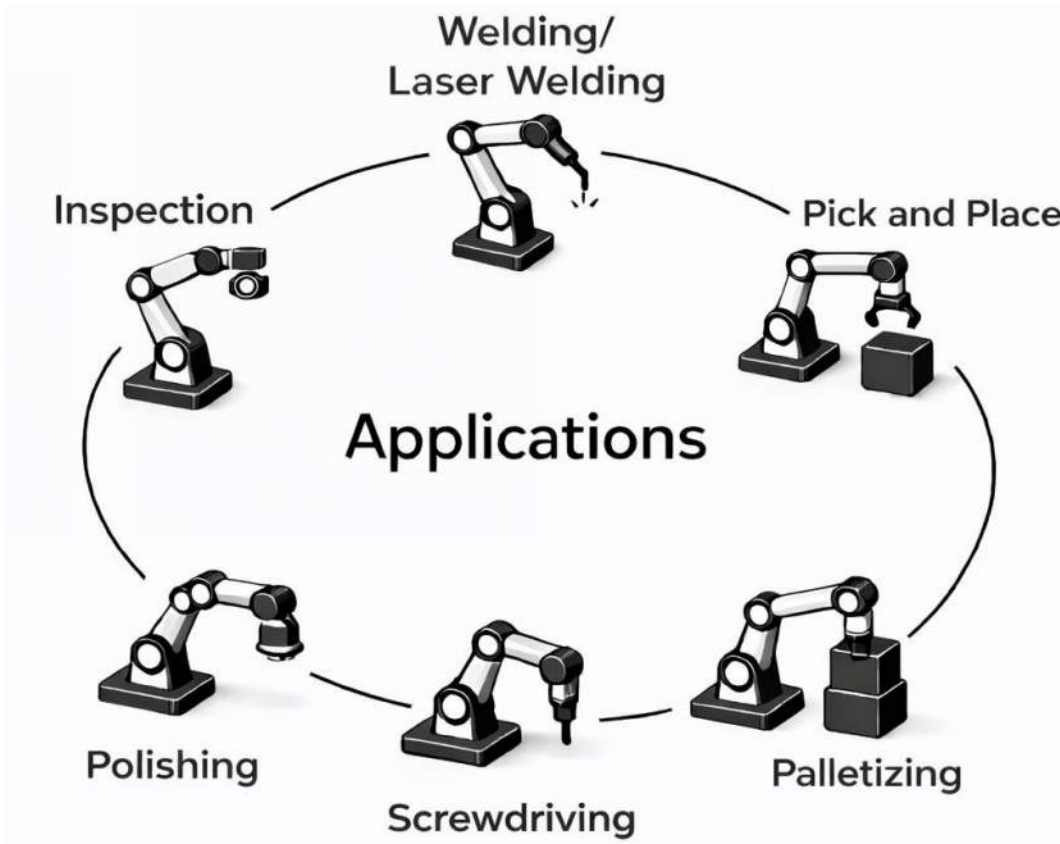


Automation, Now Made Affordable, Reliable and Simple



At **Weldmatic Automation**, We deliver automation that's **smarter, faster, and more affordable** — from high-precision welding robots to versatile cobots for multi-application use.

With positioners, tracks, and full turnkey systems, we help you **increase output**, improve quality, and minimize downtime.



AFFORDABLE | RELIABLE | SIMPLE



ROBOTIC WELDING

— (MIG, TIG & Laser) —



RM 1470/10 HW
Payload: 10 kg | Reach: 1470 mm



RM 2000/10 HW
Payload: 10 kg | Reach: 2000 mm



RM 1470/12
Payload: 12 kg | Reach: 1470 mm



RM 1880/25
Payload: 25 kg | Reach: 1880 mm



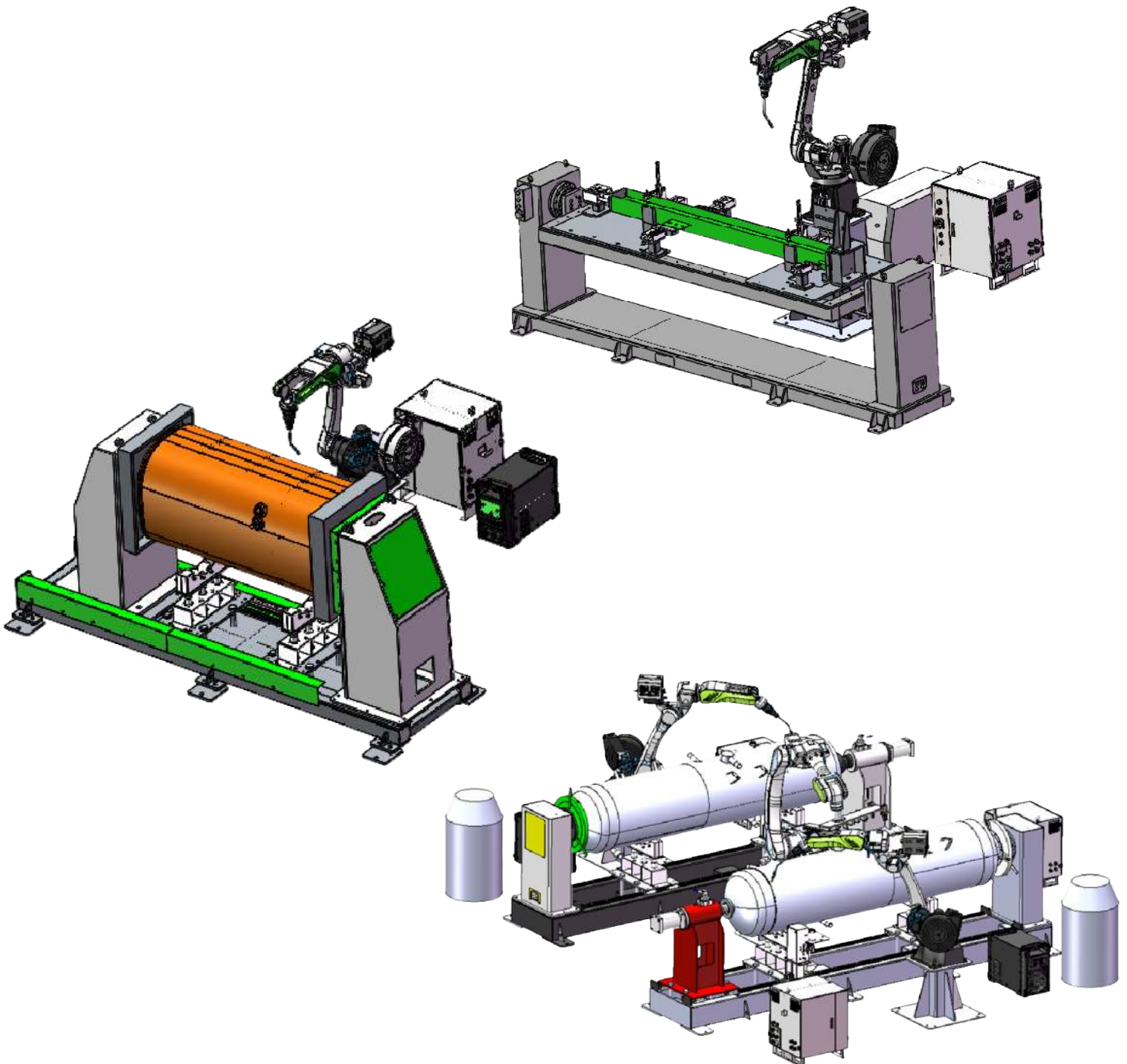
ProPendant

AFFORDABLE | RELIABLE | SIMPLE

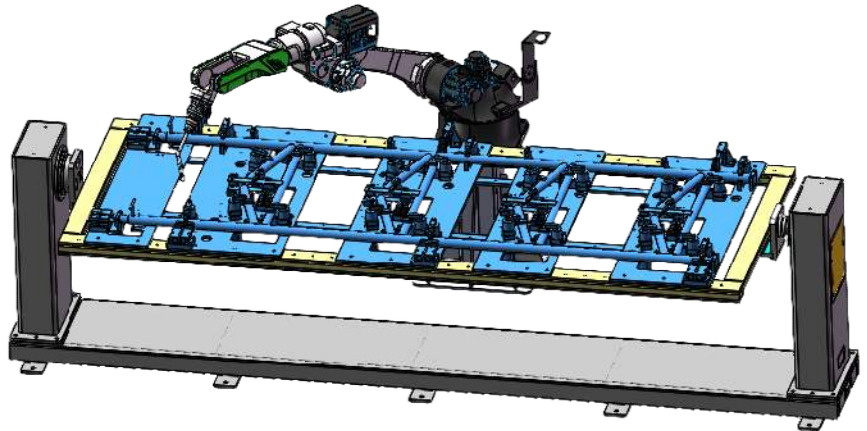
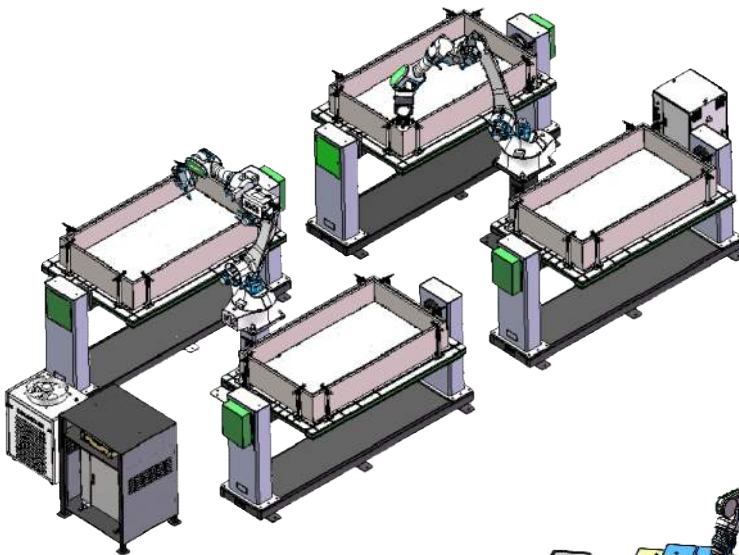
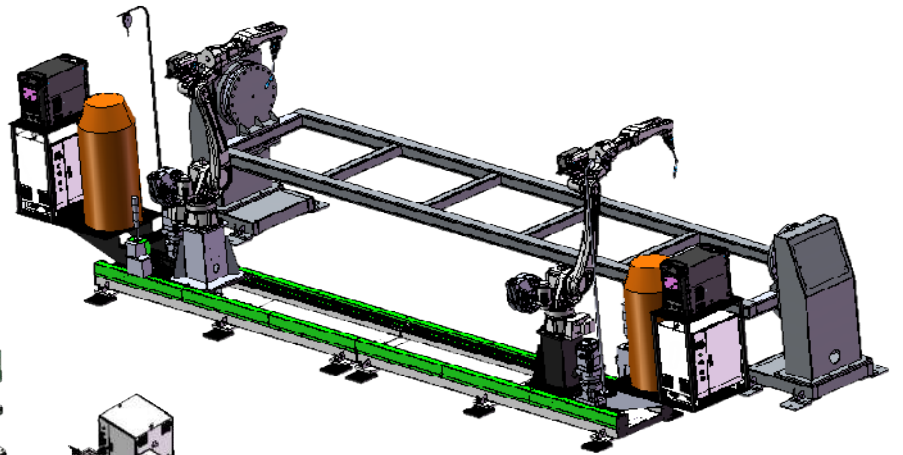
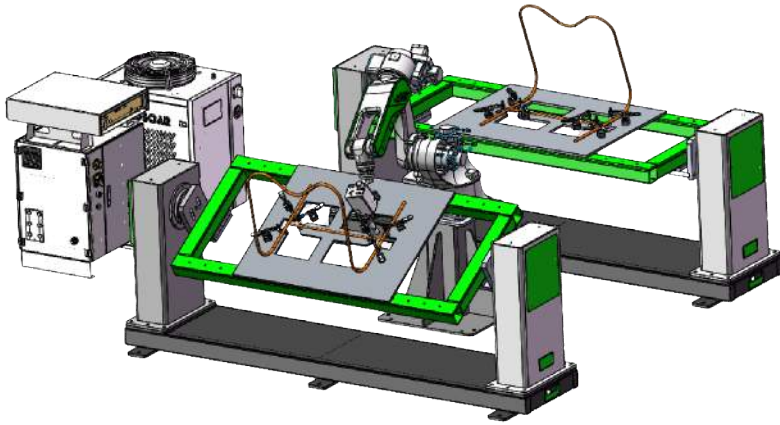


— CONSISTENT RESULTS. —
MINIMUM DOWNTIME.

— POWERED BY AUTOMATION. —



AFFORDABLE | RELIABLE | SIMPLE



AFFORDABLE | RELIABLE | SIMPLE



COBOT WELDING

EFFORTLESS CONTROL

BUILT FOR PRODUCTIVITY



RM 1100/4C
Payload: 3.5 kg | Reach: 1100 mm



FastPendant



RM 1470/8 C
Payload: 8 kg | Reach: 1468 mm



Mobile Welding Cart Setup

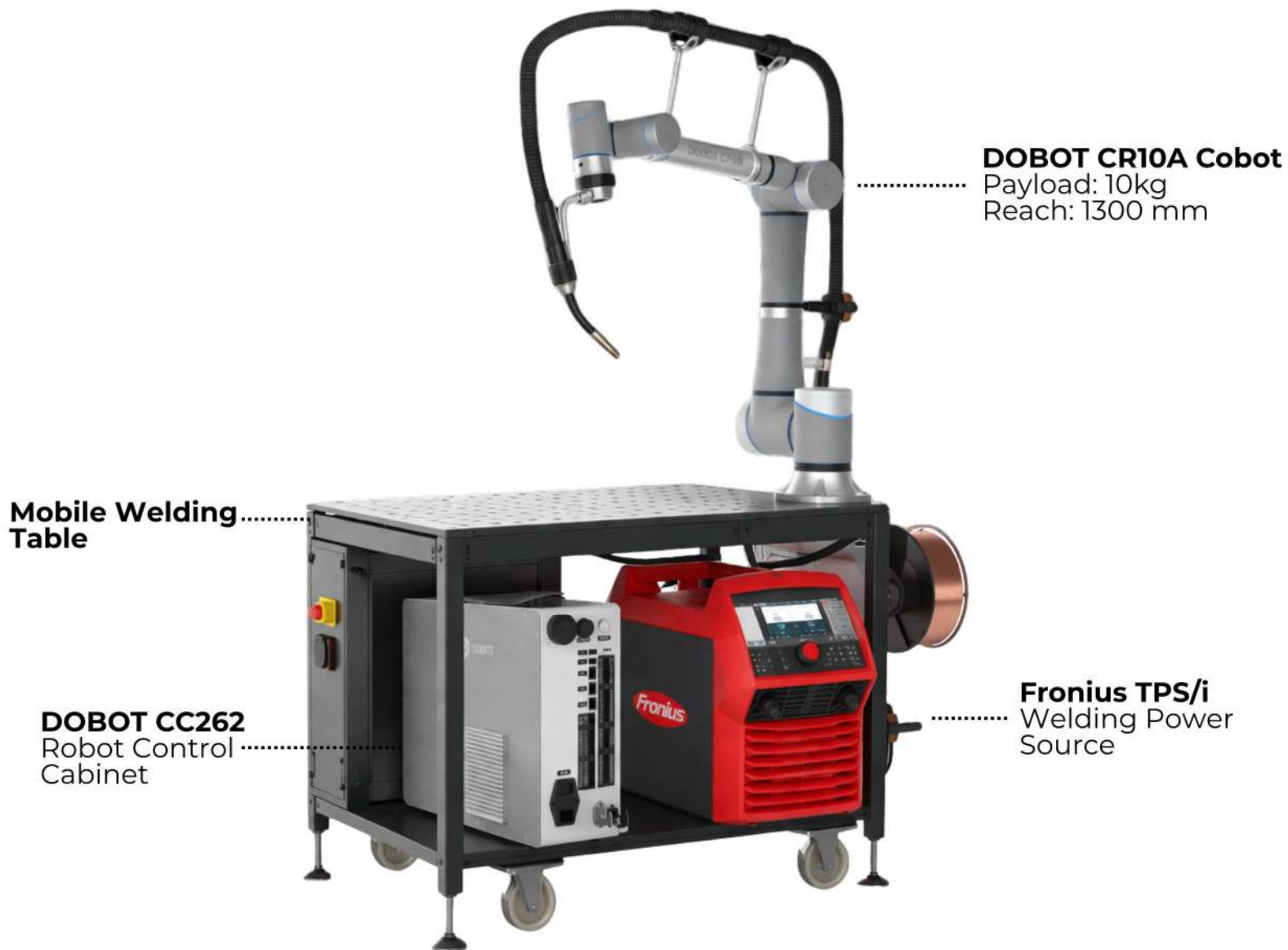
AFFORDABLE | RELIABLE | SIMPLE



DOBOT
COBOT WELDING

BEYOND BASIC WELDING

**UNLOCK MULTI-PASS, VISION, AND
PRECISION CONTROL**



DOBOT CR10A Cobot
Payload: 10kg
Reach: 1300 mm

Mobile Welding Table

DOBOT CC262
Robot Control
Cabinet

Fronius TPS/i
Welding Power
Source

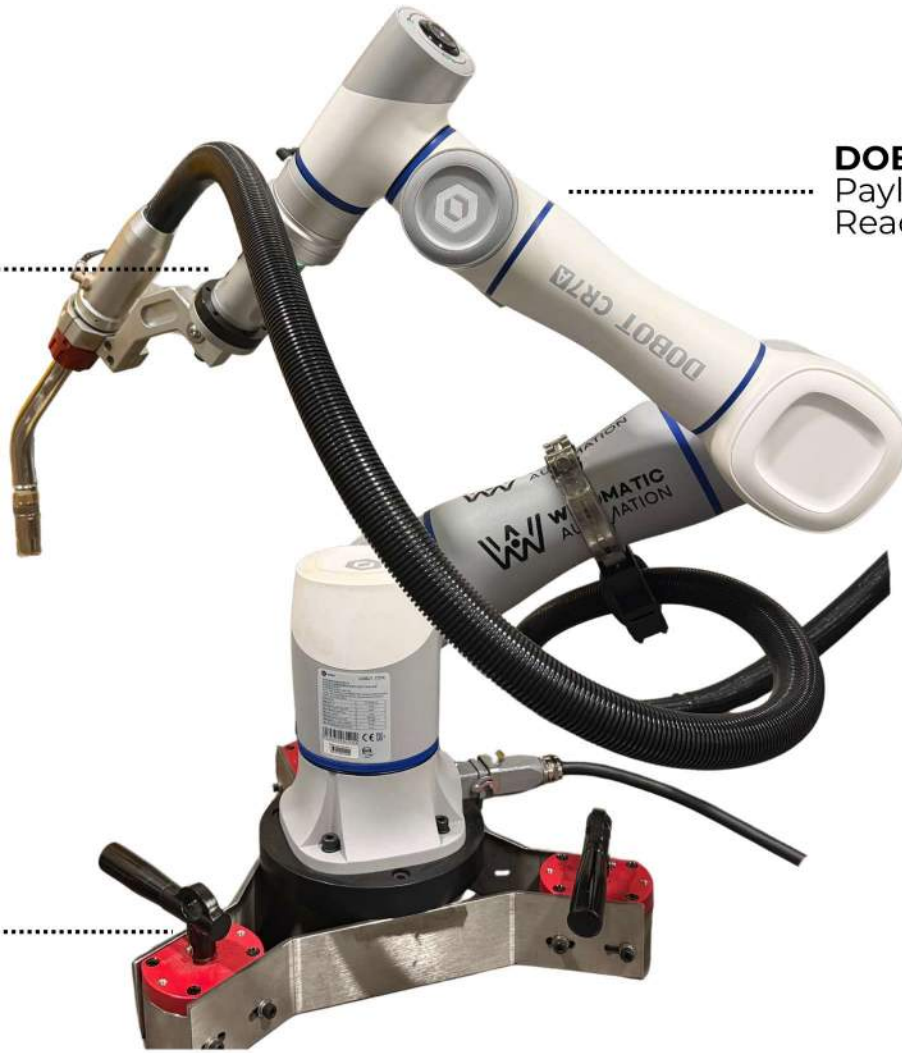
**Mobile Welding Table
Setup**

AFFORDABLE | RELIABLE | SIMPLE



DOBOT Intelligent Welding Assistant
Six-axis force sensor

DOBOT CR7A Cobot
Payload: 7kg
Reach: 800 mm



Magnetic Base

Magnetic Base Setup

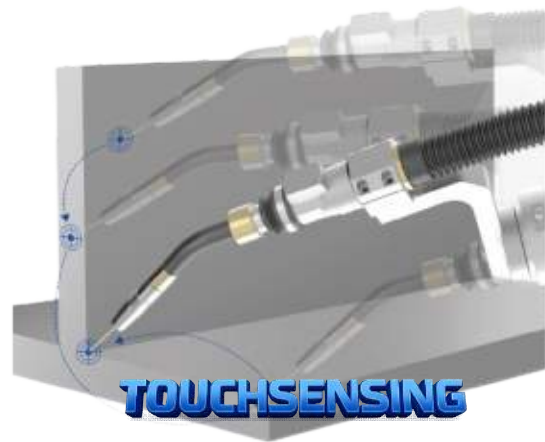


**TP10
TEACH PENDANT**



**INTELLIGENT
WELDING ASSISTANT**

AFFORDABLE | RELIABLE | SIMPLE



Widely Compatible with Leading Welding Brands Globally



Supports 4 Communication Methods:



AFFORDABLE | RELIABLE | SIMPLE



Flexible Cobot Solutions for Every Application



CNC



SCREWDRIVING



PALLETIZING



PICK & PLACE

AFFORDABLE | RELIABLE | SIMPLE



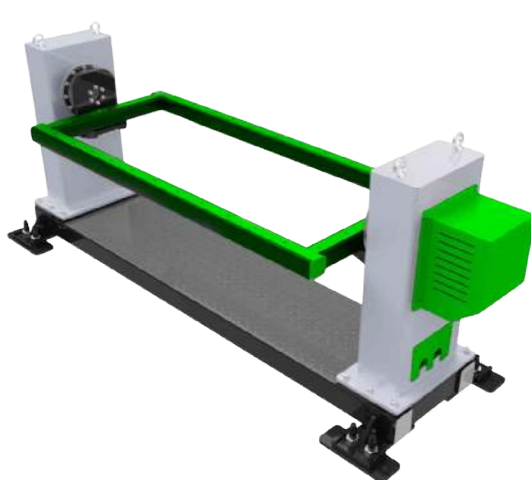
FLEXIBLE WELDING POSITIONERS

For Manual and Robotic Applications

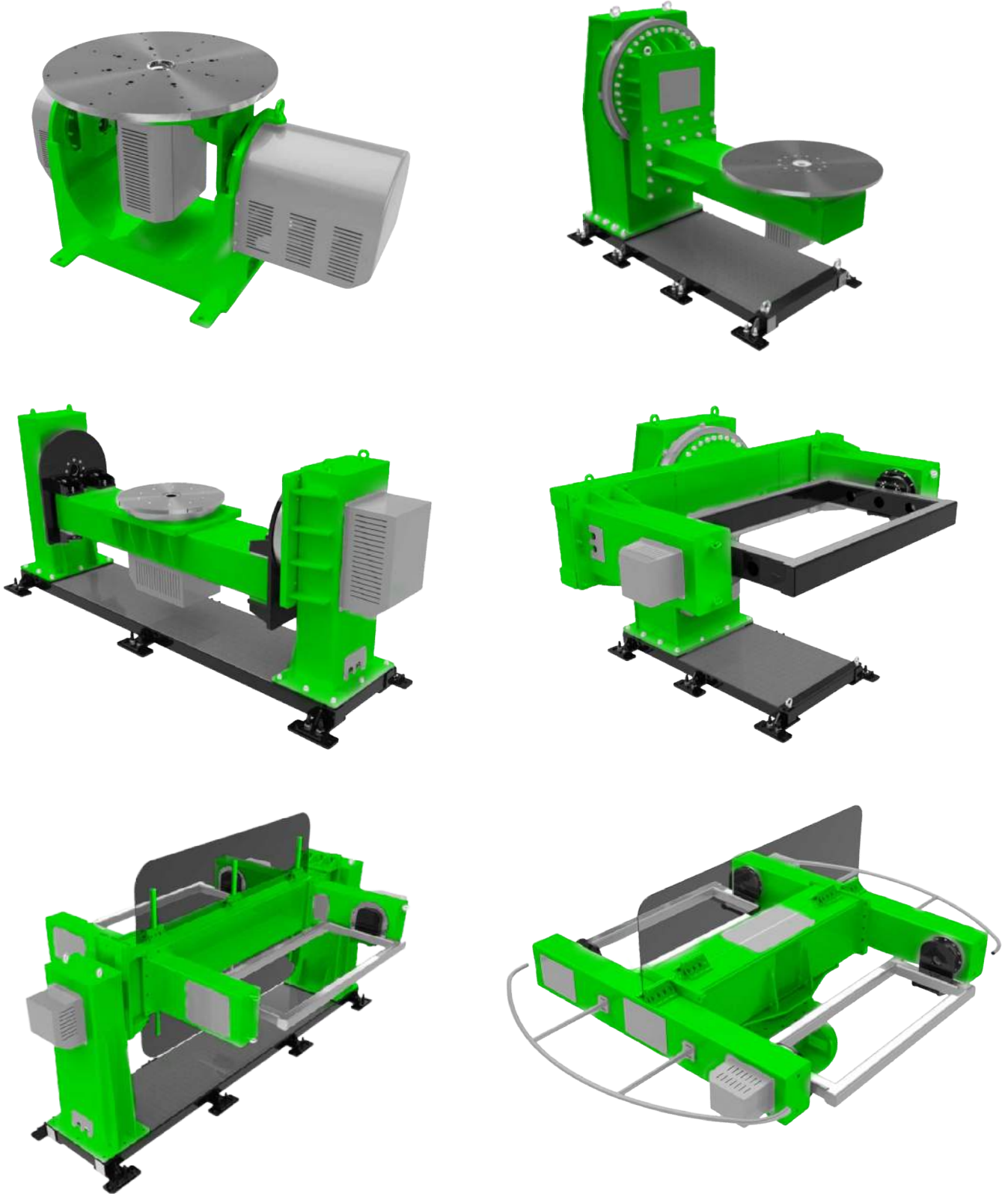
From 1 to 6 Axes | Welding Positioners Built Your Way



**RM2000 with 2000kg 1-Axis
Positioner**



AFFORDABLE | RELIABLE | SIMPLE



AFFORDABLE | RELIABLE | SIMPLE



Manual to Fully Automated Laser Welding All in One Place

Simple Controls, Unmatched Productivity, Superior Results

AIR-COOL LASER



THEO MA1 - 35
Up to 1/8" / 3.5mm Material Thickness
800W Laser Output
Air-Cool



THEO MA1 - 45
Up to 3/16" / 4.5mm Material Thickness
1200W Laser Output
Air-Cool



THEO MA1 - 65
Up to 1/4" / 6.5mm Material Thickness
1500W Laser Output
Air-Cool



THEO MA1 Ultra
Up to 0.335" / 8.5mm Material Thickness
2000W Laser Output
Air-Cool

AFFORDABLE | RELIABLE | SIMPLE



WATER-COOL LASER



Remote Display & User Interface
incl. E-Stop

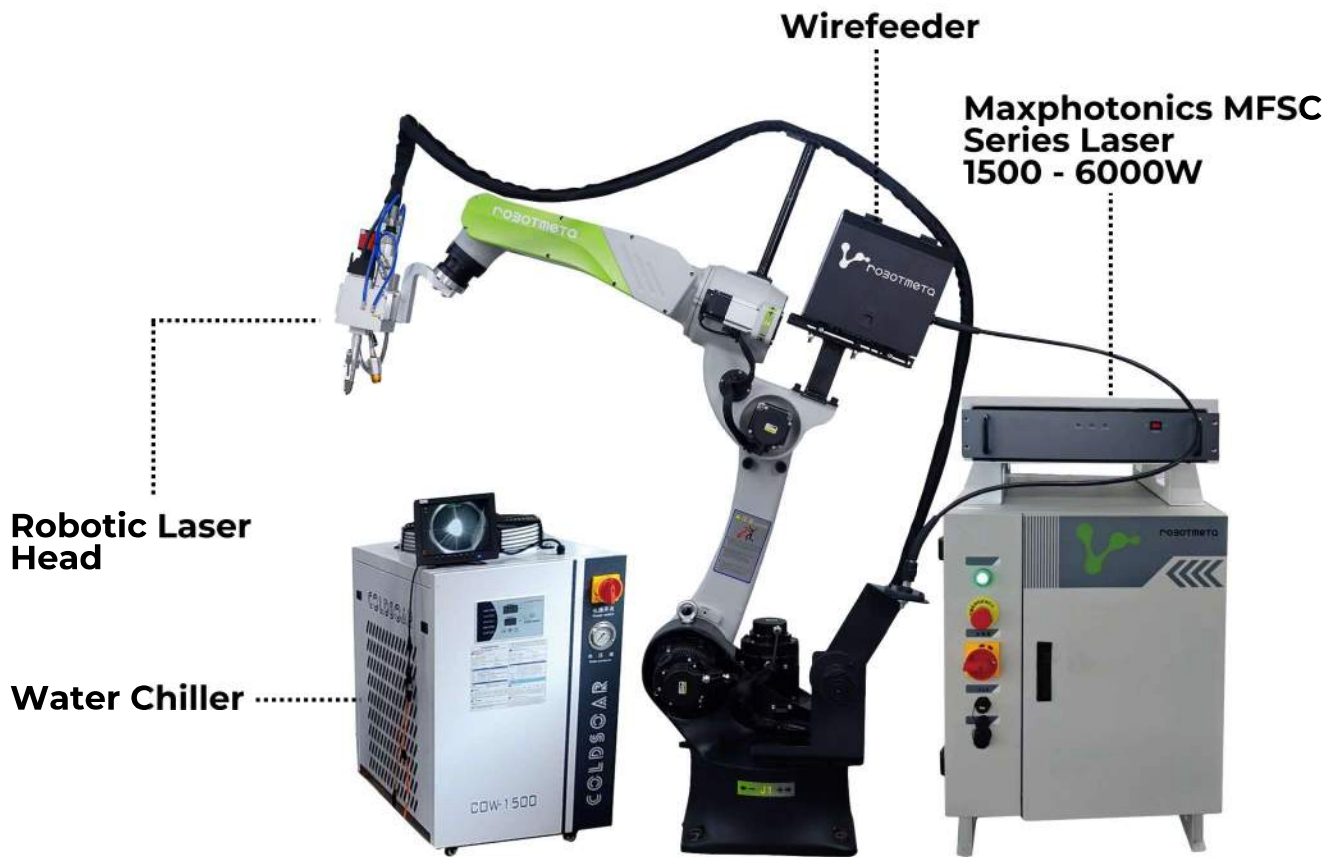
Wirefeeder
Straightener and Servo Step Motor
Smoother wire feeding
Dual-wire Capabilities

TRM 3000W
Up to 0.41" / 10.5mm Material Thickness
3000W Laser Output
Water-Cool

Cobot Ready
Upgrade anytime you want



AFFORDABLE / RELIABLE / SIMPLE



Robotic Laser Welding Setup

Widely Compatible with Leading Laser Welding Brands

TRM®

MAX PHOTONICS

THE

AFFORDABLE / RELIABLE / SIMPLE



Robotic Welding for Precision and Productivity

powered by



Fronius sets the benchmark in robotic welding with **unmatched arc performance, advanced waveform control, and real-time process intelligence.** The result is superior weld quality, reduced rework, and maximum efficiency. As a **Fronius Authorized Integrator Partner**, we ensure every system is optimized to unlock that full potential.



TPS/i User Interface
Simplified, Visual & Intuitive

Jobnumber: 0065
Job name: WELD TEST - #2

created: 06.10.2019 / 17:27 machine: TPS 500i (PL/DE / RW/US)
last modified: 11.11.2019 / 09:37 firmware-version: 4.1.5-93982.35821 serial number: 30448000

Parameter	Value	Parameter	Value
Welding mode	CMT	Low power time con.	1
Trigger mode	2 step	Low power con.	0.0
Material	ER 4043	CMT Cycle Step	off
Diameter	0.8"	Cycles (Start acid)	10
Gas	Ar 100%	Internal break time (CMT Cycle Step)	0.10 s
Property	yes	Internal cycles (CMT Cycle Step)	Permanent

Web-based SmartManager
Job Traceability & Documentation



**RM2000/10 HW & Fronius
PMC Package**



Fronius TPS/i Series
Advanced Process Incl.
PMC, LSC and CMT



Fronius iWave Series
Advanced TIG & Plasma
Welding Process

AFFORDABLE | RELIABLE | SIMPLE



See Every Seam. Track Every Weld.

powered by



Easy to Operate, Faster Performance

- User-friendly interface with 60% higher operation speed than previous generation.

High-Performance Algorithms

- Stable seam tracking
- Arc & spatter interference suppression
- Accurate detection—even for zero-gap joints

Wide Sensor Range for Any Application

- Supports various materials and joint types:
- Aluminum, stainless steel, carbon steel & more.
- Reliable even in dark, harsh, or confined environments.

Compatible with Major Robot Brands

- Seamless integration with leading robots.



Dark scenes



Harsh scenes



Confined spaces



High scenes



AFFORDABLE / RELIABLE / SIMPLE



**COBOT
WELDING**

**LASER
WELDING**



POSITIONERS

**ROBOT
WELDING**



Unit 3 & 4, 3505 Laird Rd,
Mississauga ON, Canada
L5L 5Y7



weldmatic.ca



(905) 569 - 9914



info@weldmatic.ca

AFFORDABLE / RELIABLE / SIMPLE